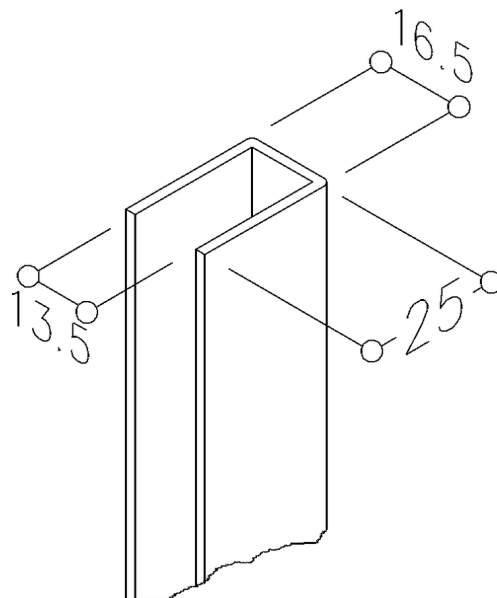


Wall profile WPP/Screw pack SP NT.WPP

Made of stainless steel, material no. 1.4401 (A4-AISI 316), brushed finish, length 2050mm, U-profile for fixing to HPL-panel or to brickwork, for panels with 13mm thickness, supplied without fixing material, without fixing holes. On request available with drilled holes; recommendation at least 3 drilled holes for a length of 2050mm.

Product code	2289060
Product group	6600



NORMBAU Beschläge und Ausstattungs GmbH

Schwarzwaldstraße 15 · 77871 Renchen/Germany

Telefon +49(0)7843 / 704 - 0 · Telefax +49(0)7843 / 704 - 43

www.normbau.de · info@normbau.de

